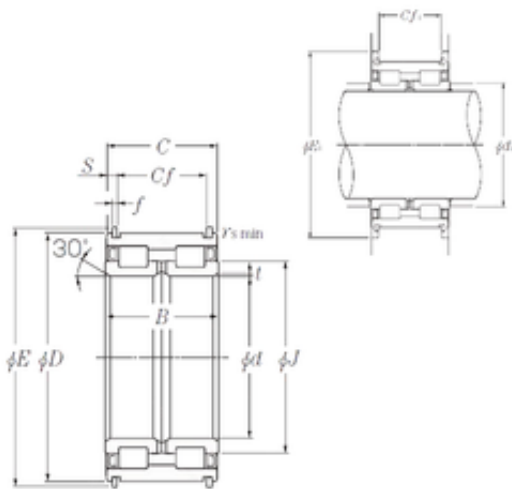




SL04-5048NR NTN Cylindrical Roller Bearing

Bearing No. SL04-5048NR



SL04-5048NR Bearing 2D drawings and 3D CAD models

Size	240x360x160 mm
Bore Diameter	240 mm
Outer Diameter	360 mm
Width	160 mm
d	240 mm
D	360 mm
B	160 mm
C	159 mm
E1	400 mm
t	2,5 mm
f	6 mm
r min.	1,1 mm
E	377 mm
J	280,5 mm
S	14,5 mm
da	248,5 mm
Cf	130 mm
Cf1	130 mm
Weight	59,5 Kg
Basic dynamic load rating (C)	1 710 kN
Basic static load rating (C0)	3 550 kN
Category	Roller Bearings
Inventory	0.0
Manufacturer Name	NTN
Minimum Buy Quantity	N/A
Weight / Kilogram	57.799



Jinan Yuanyi Hydraulic Equipments Co....

Product Group	B04144
---------------	--------